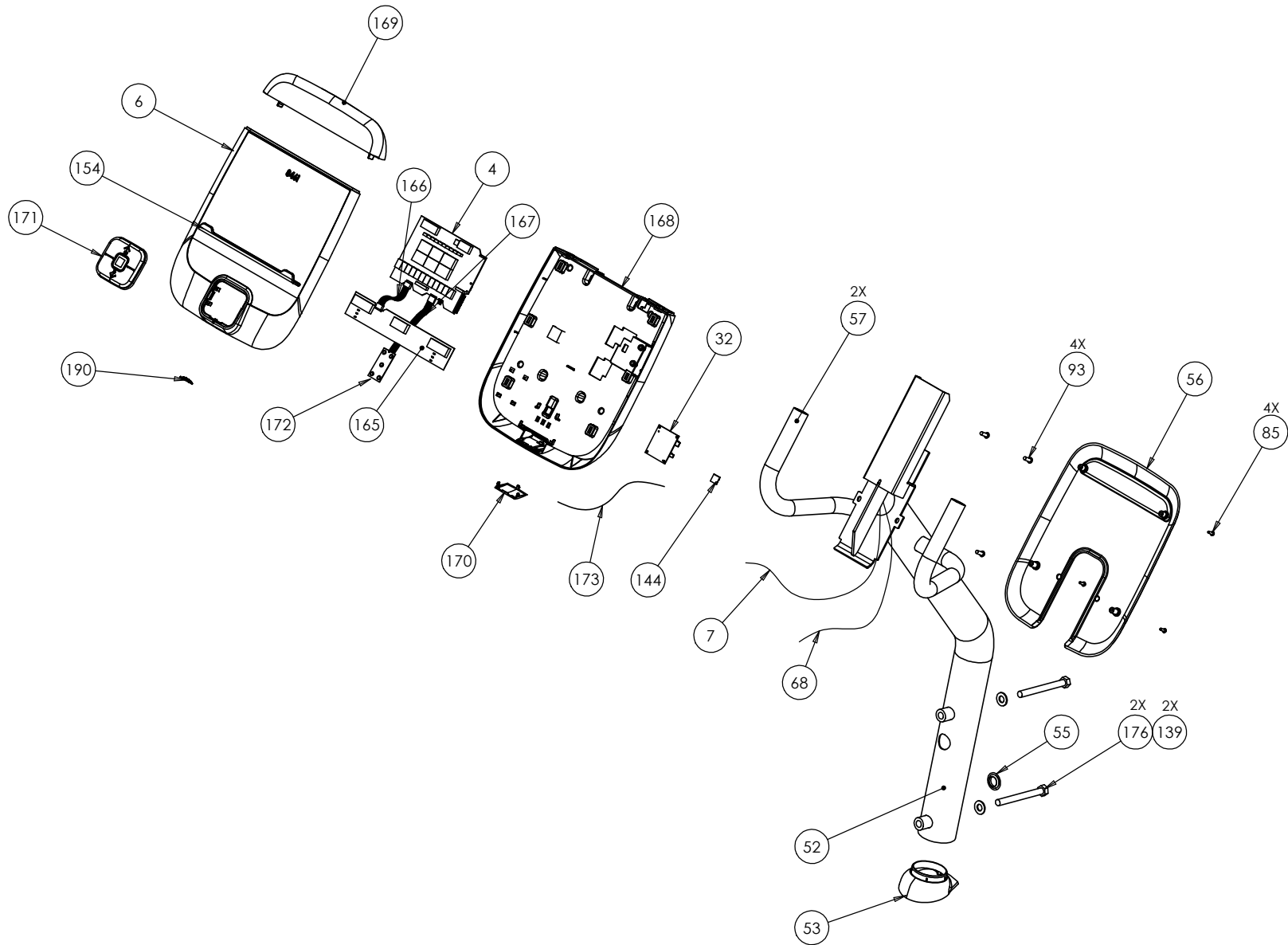
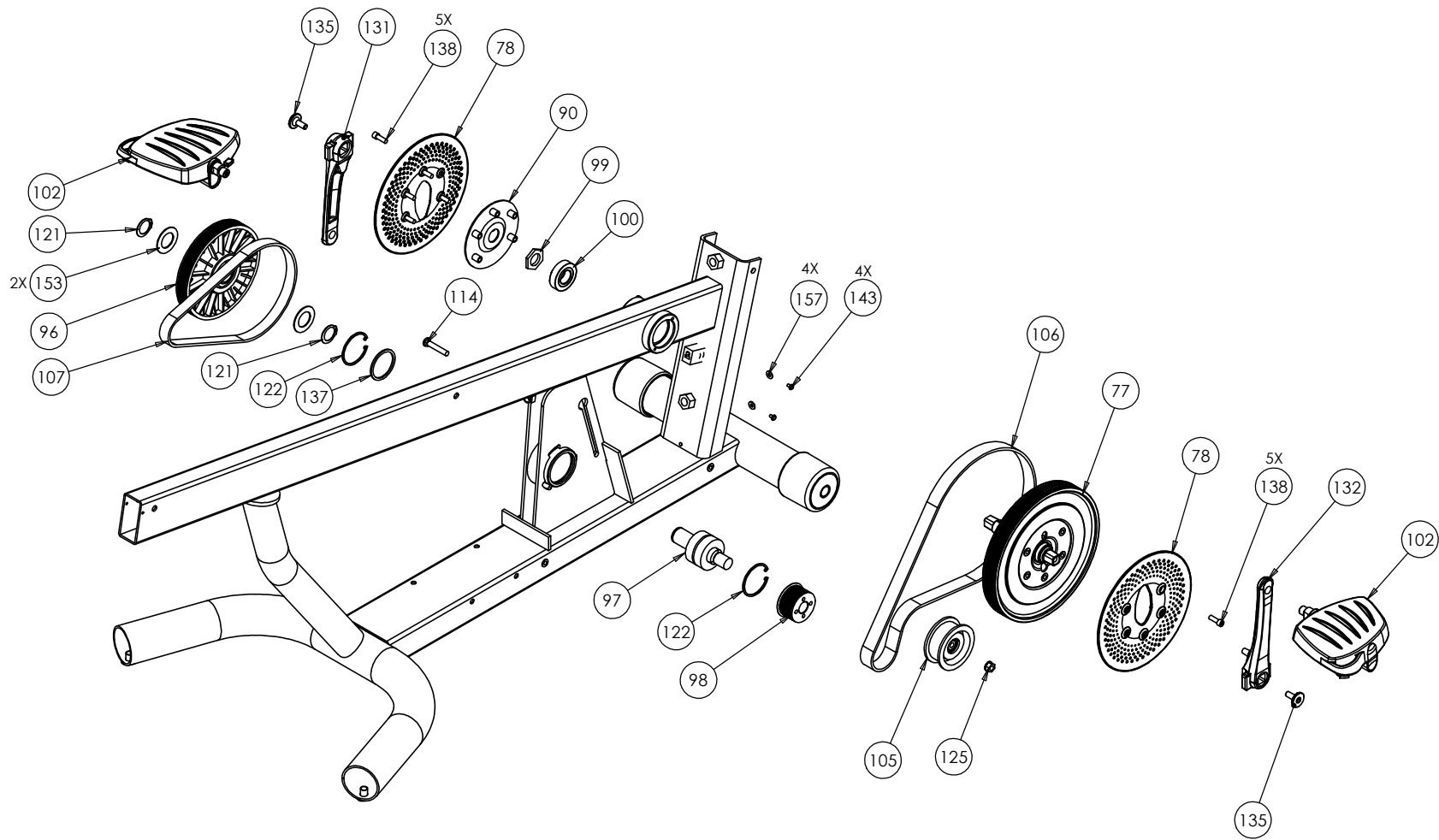
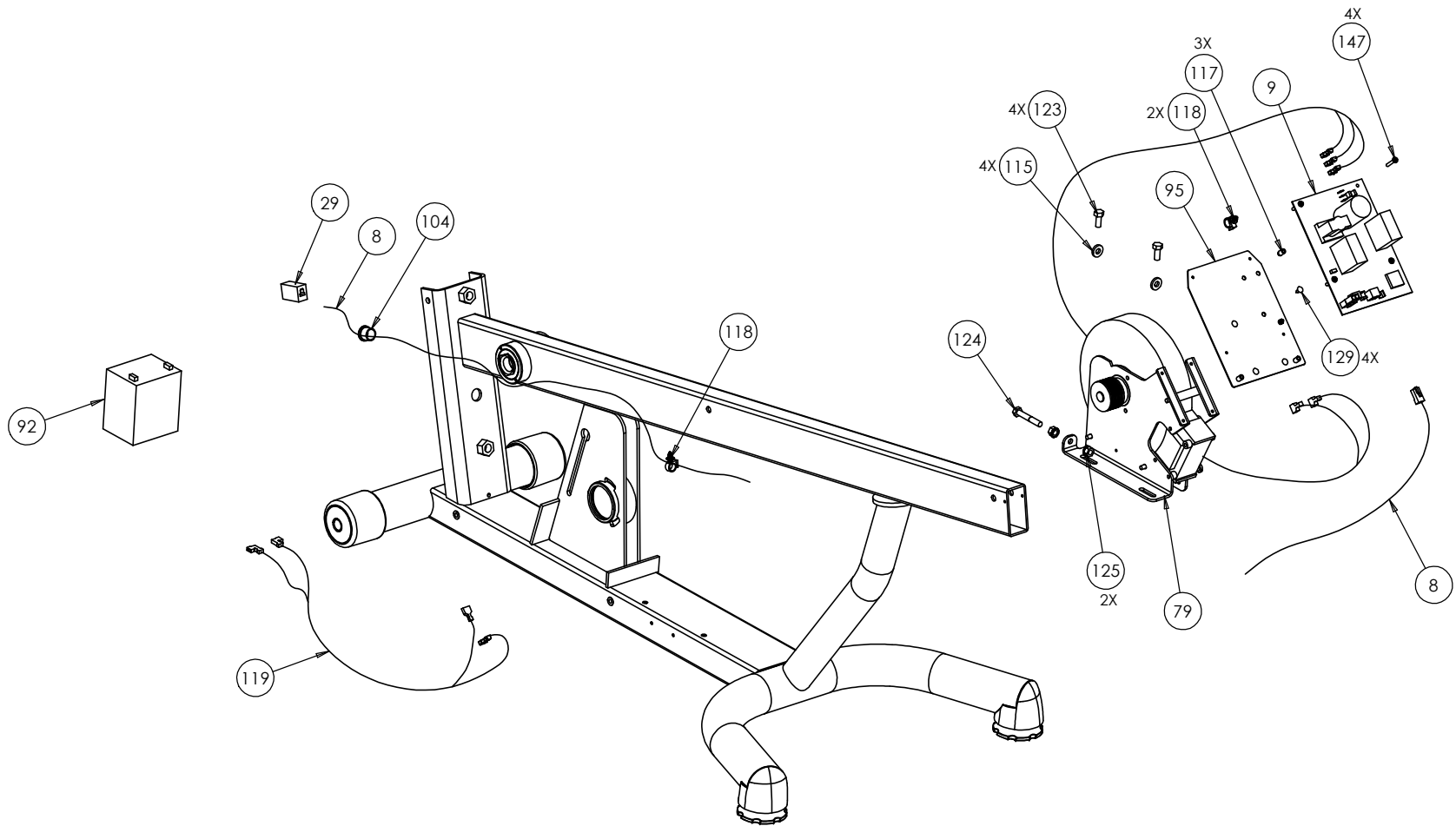
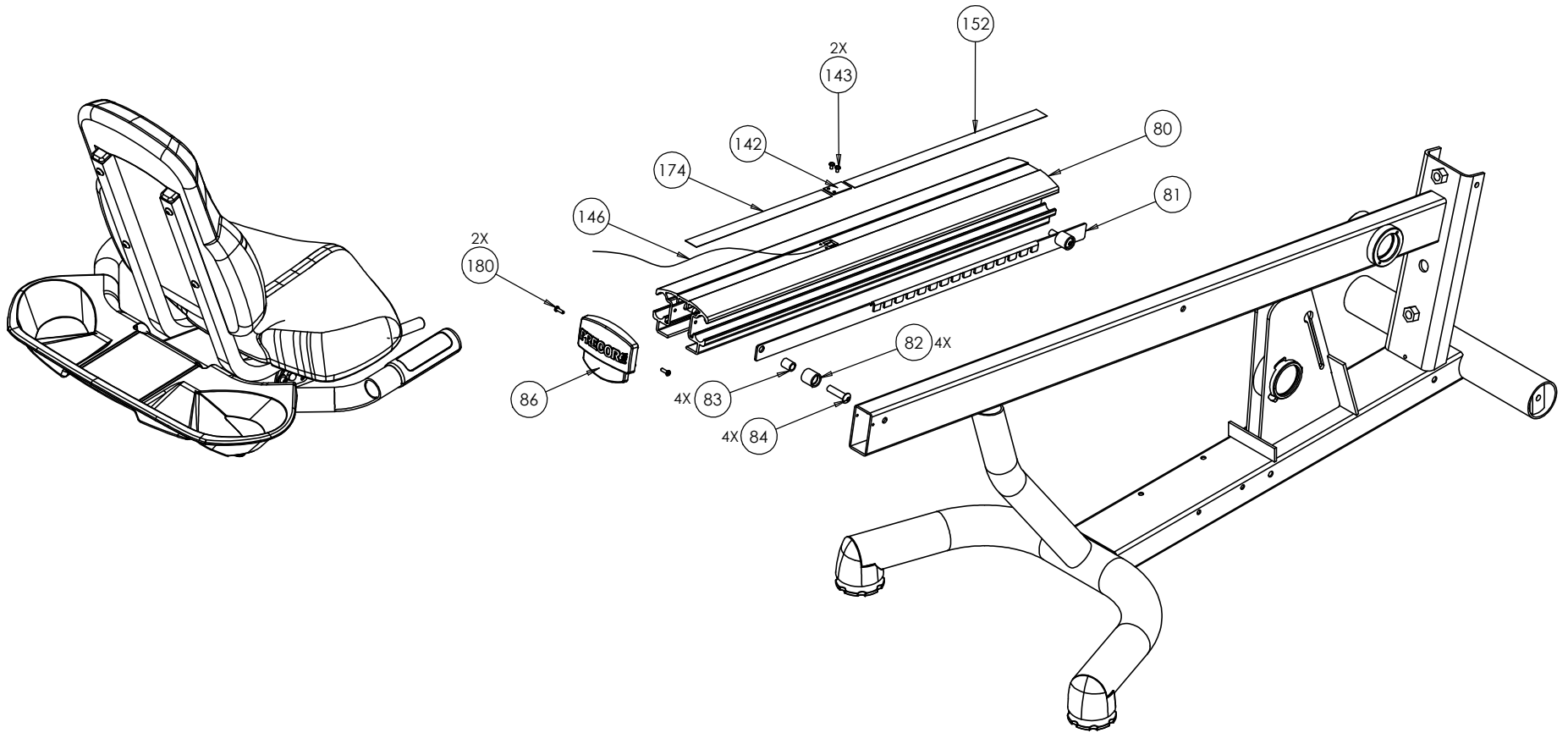


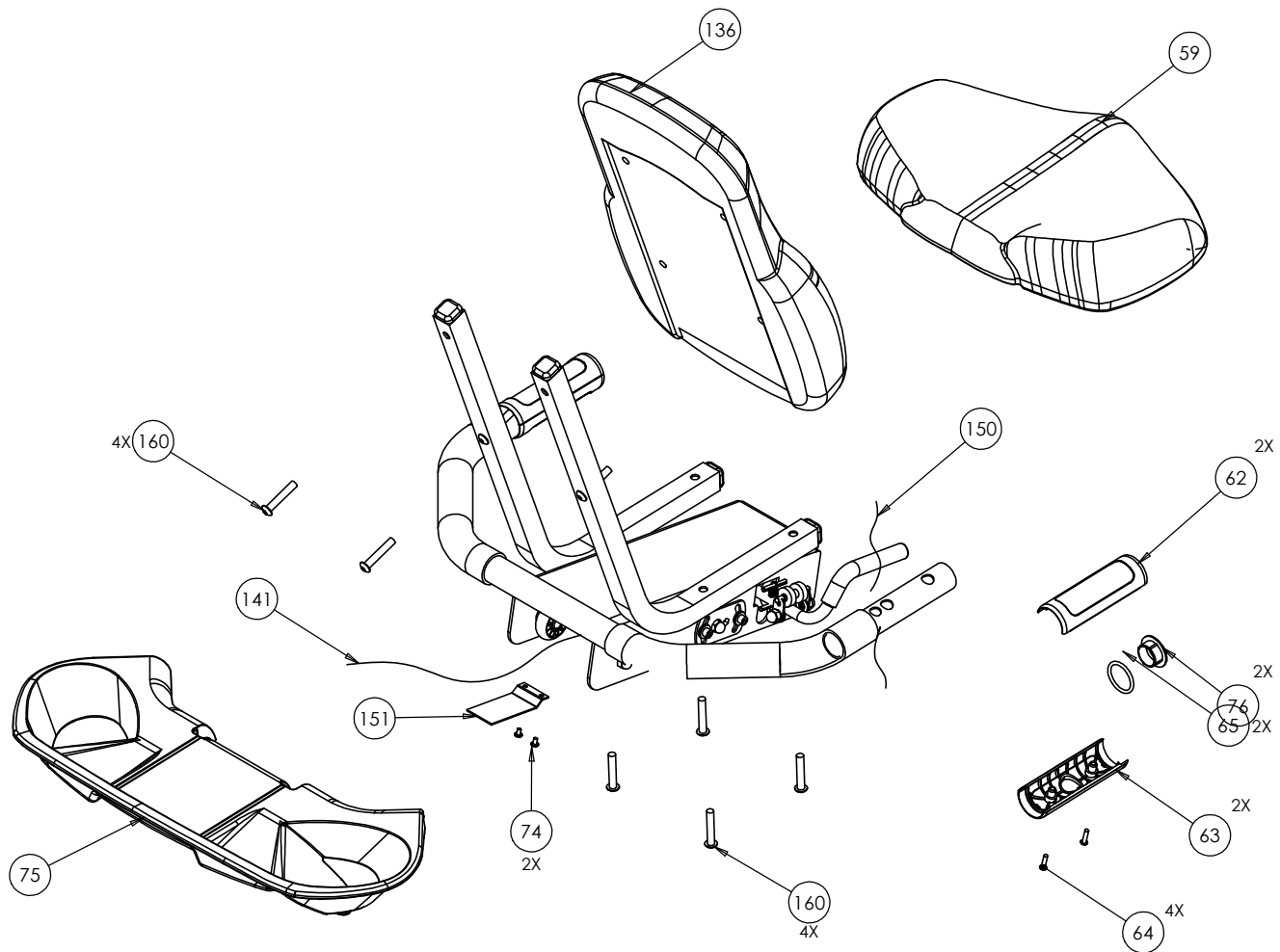
C846I RECUMBENT	P/N : 49025-101	SUBREV : F
DRAWN BY : M.HAMILTON	DATE : 12.05.07	SHEET 1 OF 8

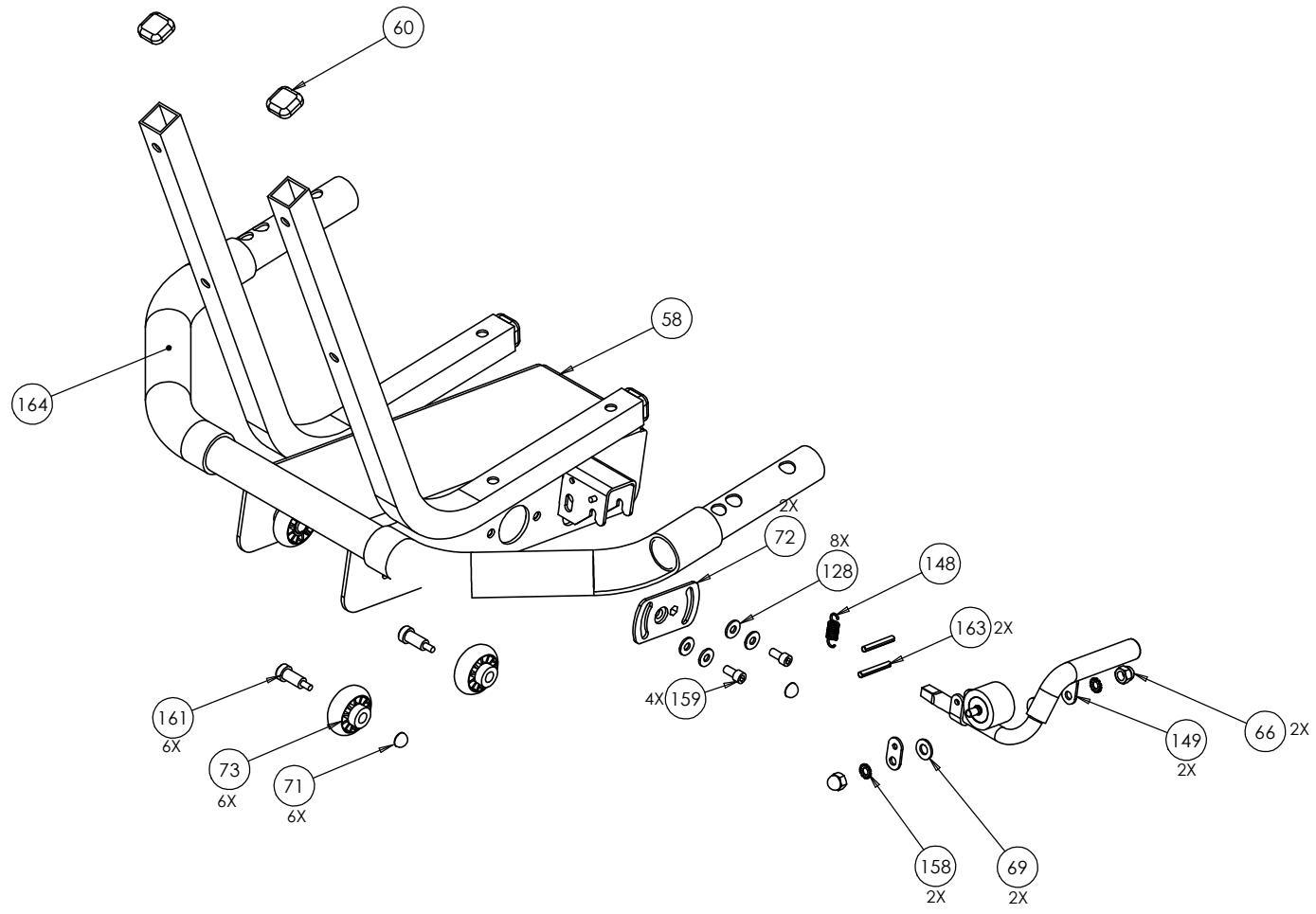


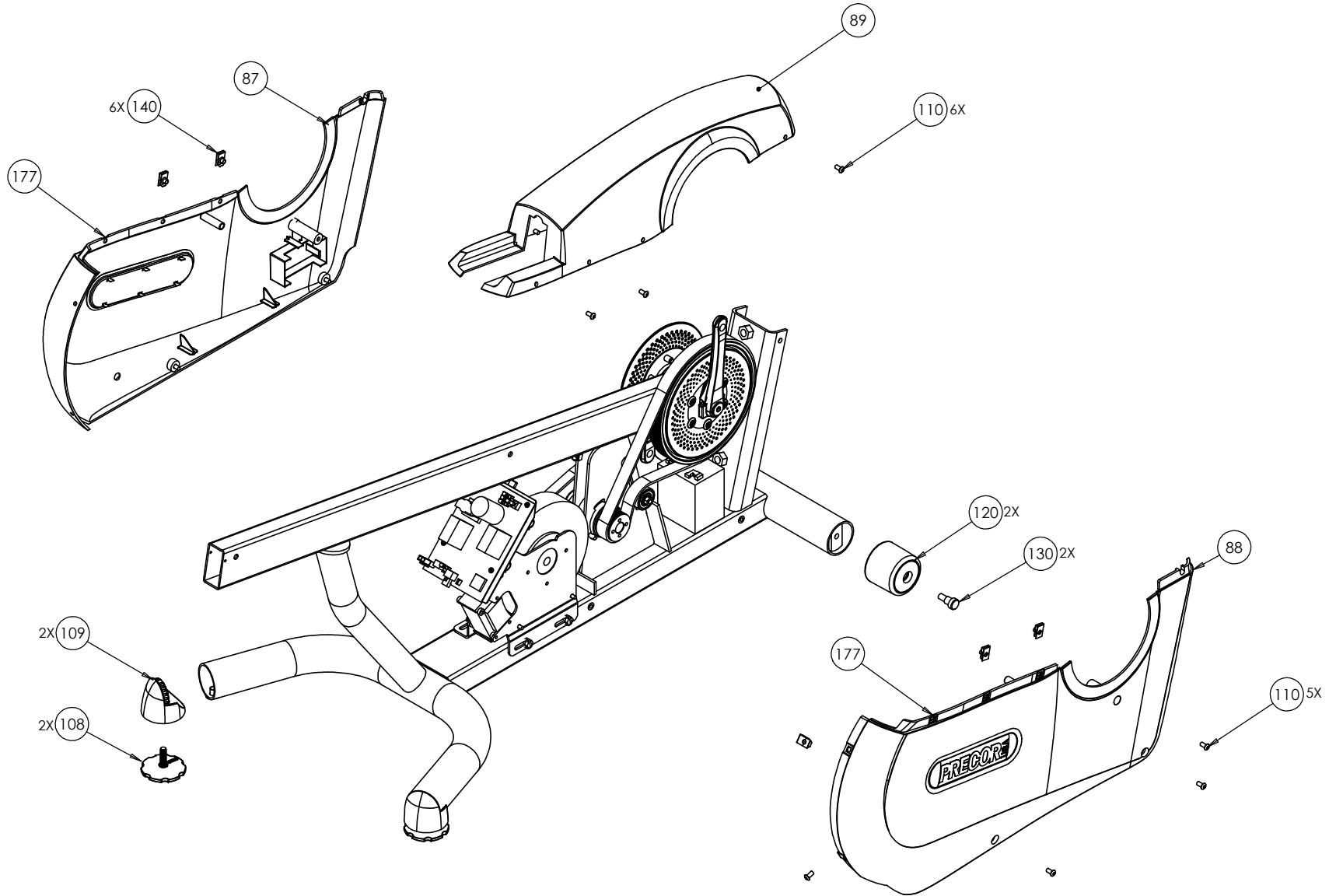














<b>C846i (recumbent) (serial code A952, AA69, AABZ)</b>		
<b>Part Number</b>	<b>Description</b>	<b>Bubble Number</b>
PPP000000045403109	WELDMENT, FRAME, 842I/846I, RECUMBE	1
PPP000000048434403	PCA,DISPLAY,CL	4
PPP000000048774111	ASSEMBLY, DISPLAY PANEL/LABELS, C84	6
PPP000000044905042	ASSY,CBL,MOD,8P8C,1-1,42"	7
PPP000000044905042	ASSY,CBL,MOD,8P8C,1-1,42"	8
PPP000000049445101	ASSY, LOWER PCA & SW, LCSPAM BIKE,	9
PPP000000049421401	SW, BIKE, LCSPAM LOWER, 3 PHASE, DI	27
PPP000000011415102	COUPLER,MOD,8P8C,INLINE,SNAP-IN	29
PPP000000043579108	ASSY BOARD, CHR, CONTACT PRIORITY/	32
PPP000000048890101	WELDMENT, DISPLAY-C SUPPORT, C842/C	52
PPP000000045512101	SWEAT BIB	53
PPP000000049785101	HOLE PLUG, 25MM, BPFE SERIES	55
PPP000000048708101	REAR COVER, DISPLAY-C, W/O HANDLEBA	56
PPP000000038580116	GRIP HANDLEBAR,PLASTI-SOL,LH C842/C	57
PPP000000045453104	WELDMENT, RECUMBENT SEAT, 846R, PAI	58
PPP000000045457102	SEAT, BOTTOM, C846R	59
PPP000000011311105	ENDCAP, REC TUBE, BLACK PLASTIC, 1.	60
PPP000000042713102	HHHR SENSOR, TOP	62
PPP000000042714102	HHHR SENSOR, BOTTOM	63
PPP00000TCNN016075	SCREW, BTHD, 8-32X.75,SS	64
PPP000000010115113	O-RING, ROUND, 1.25ID X .139	65
PPP0000KADCN025022	NUT,ACORN,1/4-20	66
PPP000000045855039	ASSY, CABLE, HHR, FFC TO DISPLAY,	68
PPP00000WBCN031007	WASHER,FLT,5/16X.688X.065, ZN	69
PPP0000KBFCN031053	NUT,ACORN,5/16-18, CENTERLOCK	71
PPP000000039478104	PLATE, ECCENTRIC	72
PPP000000038578102	WHEEL,846R	73
PPP00000MGTN016025	SCREW,MCH,8-32X1/4PANHD,PHIL,BLK SH	74
PPP000000045629102	ACCESORY TRAY, BIKE, RECUMBENT,STON	75
PPP000000042730101	PLUG, HHR, HANDLE BAR END	76
PPP000000045439104	ASSY,CRANK, INPUT,INTEGRATED BEARIN	77
PPP000000045747101	CRANK COVER, SELF-POWERED BIKE	78
PPP000000045436101	ASSEMBLY,SP,GENERATOR,BIKE	79
PPP000000038625104	EXTRUSION,RECUMBENT SEAT,C842/C846R	80
PPP000000038623104	RAIL LOCK, C842/C846R	81

PPP00000038624103	SEAT STOP,846R	82
PPP00000039388201	SPACER,SEAT STOP,ZN COATING	83
PPP00000TATN038150	SCREW,BTHD,3/8-16X1-1/2,BLK SHARPER	84
PPP00000MGCN016100	MACHINE SCREW, 8-32 X 1, PAN HEAD	85
PPP000000038622104	COVER,EXTRUSION CAP,846R,STONE GREY	86
PPP000000049308101	ASSEMBLY, COVER W/LABELS,BIKE,LEFT,	87
PPP000000049308102	ASSEMBLY, COVER W/LABELS,BIKE,RIGHT	88
PPP000000045511102	COVER, TOP, BIKE, RECUMBENT,STONE GR	89
PPP000000045842101	ASSY, LOCKRING, SELF-POWERED BIKE	90
PPP000000012258040	BATTERY,SLA,12V,4AH,.187 TABS	92
PPP00000TFTN025075	SCREW,BTHD,1/4-20X3/4,BLK SHARPERIZ	93
PPP000000045438101	BRACKET,BOARD, SELF POWERED, BIKE	95
PPP000000047435101	ASSY, SECONDARY SHEAVE, C846I	96
PPP000000045449101	ASSY,SECONDARY SHAFT	97
PPP000000045450104	SHEAVE, SECONDARY AXLE	98
PPP000000045445101	NUT, CEASE, CRANK	99
PPP000000045441105	INTEGRATED ACORN NUT, BEARING,BALL,	100
PPP000000058017102	PEDAL KIT, RIGHT AND LEFT	102
PPP000000046824101	STRAP, PEDAL,846/842	102.01
PPP000000010178102	BUSHING, SNAP (SB-750-625)	104
PPP000000046825101	PULLEY,IDLER,FLANGED	105
PPP000000010217137	BELT, DRIVE, 420J10 POLY V	106
PPP000000010217136	BELT, DRIVE, POLY V 260J8	107
PPP000000039916102	FOOT, ADJUSTING	108
PPP000000045743101	COVER, ADJUSTABLE FOOT, 842/846	109
PPP00000TFTN025075	SCREW,BTHD,1/4-20X3/4,BLK SHARPERIZ	110
PPP00000BACN031175	BOLT, CARRIAGE, 5/16-18 X 1.75	114
PPP00000WBANN034013	WASHER,FLAT,ID=11/32,OD3/4,TH=.125,	115
PPP000000012289806	SPCR,SELFRETAIN,NYLN,#8(M-4),3/8"	117
PPP000000012414101	CABLE CLAMP INSERT,SNAP IN	118
PPP000000045250040	ASSY,CBL,2C,16AWG,QK DISC,40"	119
PPP000000045742101	WHEEL,846/842	120
PPP00000ABHN025002	RING, RETAINING, 25MM EXTERNAL	121
PPP00000ADHN052002	RING, RETAINING, INTERNAL (52MM)	122
PPP00000HEWN031075	SCREW,HEXHD,5/16-18X.75LG,GR8,YZN	123
PPP00000HJCN031200	SCREW,HEX,5/16-18X2.0 ,ZINC,FULLY T	124
PPP00000KGCN031027	LOCKNUT,STARWASHER,5/16-18,1/2	125

PPP00000MGCN016025	SCREW,MCH,8-32X1/4,PANHD,PHIL,	126
PPP00000WNZN026006	WASHER,FLT,1/4X.625X.063,BLK CVS	128
PPP00000PGTN016050	SCREW,S/T,#8X1/2,TRS,PHIL,BLK SHARP	129
PPP00000RATN038050	SCREW,SHLD,3/8 X 1/2 ,HEXSC,BLK SH	130
PPP000000049020101	CRANK, LH, SP BIKE,PRESS FIT	131
PPP000000049020102	CRANK, RH, SP BIKE,PRESS FIT	132
PPP000000045838101	SCREW, CUSTOM, CRANK, M8 X 22L, SP	135
PPP000000038582102	SEAT, BACK, C846R	136
PPP000000012089103	26MM THRUST BEARING IGUS,LTM-2644-0	137
PPP00000CATN025075	SCREW,SKHD,1/4-20 X 3/4,BLK SHARPER	138
PPP00000HCTN050500	SCREW,HEX,GR5,1/2-13X5,BLK SHARPERI	139
PPP000000012577101	MULTI-THREAD U-NUT 1/4-20 ITW CIP	140
PPP000000045504015	ASSY,CBL,FFC,04 COND,28AWG,15"	141
PPP000000045854101	CABLE CLAMP, EXTR, RECUMBENT, PT	142
PPP00000MGKN013025	SCREW,MCH,6-32X1/4,PANHD,PHIL,	143
PPP000000012262102	WIRE CLIP,FOAM TAPE BACK	144
PPP000000045856043	ASSY,CBL,HHHR,FFC TO DISPLAY,24AWG	146
PPP00000PMTN016088	SCREW,TCS,#8X7/8,PHIL,BLK SHARPERIZ	147
PPP000000010589108	SPRING, EXT .375 X 1.00	148
PPP000000043704101	LOCK, SHAFT	149
PPP000000045840024	ASSY,CBL,HHHR,FFC TO GRIPS,22AWG,24	150
PPP000000045628102	CABLE CLAMP, SEAT, RECUMBENT, PT	151
PPP0000000300018101	LABEL,SEAT ADJUST,C846/C842 NUMBERE	152
PPP00000WAKNN044004	WASHER, WAVE, SSB-0205	153
PPP000000048712102	BOOK SUPPORT, DISPLAY-C, MAKROBLEND	154
PPP00000WACN019005	WASHER, FLT, #10X.500X.049,ZN	157
PPP00000WAMCN025002	WASHER, LOCK, EXT TOOTH, 1/4	158
PPP00000CATN025050	SCREW,SKHD,1/4-20X0.50,BLK SHARPERI	159
PPP00000TAMN031175	SCREW,BTHD,5/16-18X1-3/4,ZN (MECH P	160
PPP00000TATN031175	SCREW,BTHD,5/16-18X1-3/4,BLK SHARPE	160
PPP00000RANN031075	SCREW,SHLD,5/16 X 3/4,HEXSC,	161
PPP000000045456103	ASSEMBLY, LOCK MECHANISM W/GRIP	162
PPP00000LDTN018138	PIN, ROLL, 3/16 X 1 3/8, BLACK SHAR	163
PPP000000048929115	GRIP,HANDLEBAR,EXTRUDED VINYL,11.5"	164
PPP000000048947102	ASSY, PCA & SW, DISPLAY-C, METRICS,	165
PPP000000048602005	ASSY,CABLE,6C,.1 CTR,1-1,GOLD,5"	166
PPP000000048602009	ASSY,CABLE,6C,.1 CTR,1-1,GOLD,9"	167

PPP00000048707101	BACK PANEL, DISPLAY-C, W/O USB	168
PPP00000048713101	TOP, DISPLAY-C, BLANK	169
PPP00000048714101	ACCESS PANEL, HEADPHONE JACK	170
PPP00000048734111	D-PAD, 3 BUTTON, BIKE & EFX, ICON	171
PPP00000049003401	PCA, SNAPDOME D-PAD	172
PPP00000049717014	ASSY, CABLE, HHR TO DISPLAY, 14"	173
PPP00000045718102	LABEL, SEAT ADJUST, C846/C842 BLANK	174
PPP00000WBZN050008	WASHER, FLAT, 1/2, .086 BLK CVS	176
PPP000000010136102	CLIP, U TYPE, TINNEMAN, 1/4-20	177
PPP00000MGTN016075	SCREW, MACHINE, 8-32X3/4, PANHD, PH	180
PPP00000PMTN016050	SCREW, TCS, #8X1/2, PHIL, BLK SHARPERIZ	180
PPP000000049805101	D-PAD PCA LOCK CLIP	190
PPP000000049081102	KIT, HARDWARE, C846I/C842I, DISPLAY-C	200
PPP000000058022102	CRANKARM REPLACEMENT KIT	202
PPP000000058020101	C842, C846V2, 120V POWER SUPPLY OPT	205
PPP000000049248106	LITERATURE KIT, C846I RECUMBENT, DI	999